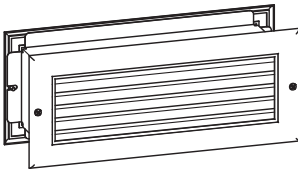


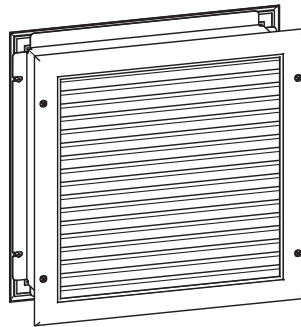


INSTALLATION AND USER MANUAL

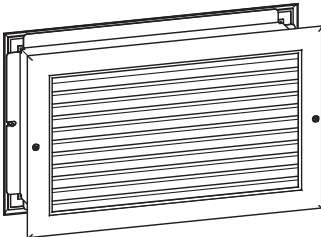
PLEASE READ THE INSTRUCTIONS CAREFULLY BEFORE INSTALLATION.
PLEASE KEEP THIS INSTRUCTION WELL AND DO NOT DESTROY OR LOSE IT.



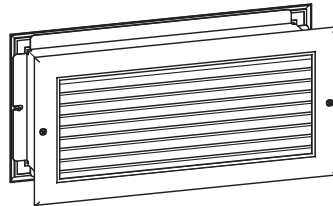
AP1204



AP1212





AP1408



AP1406

The Suprocky Zone Air Pathway is designed to allow the user to keep the temperature and humidity balanced in both rooms while the door is closed. Works better with Suprocky ventilation products.

 (888) 907-7328

 www.suprocky.com

 Suprocky Product Co., Ltd

DIMENSIONS

	AP1204	AP1212	AP1406	AP1408
Item Weight:	3.25 lbs	6 lbs	4.5 lbs	5 lbs
Product Dimensions:	13.5"X4.2"X5.6"	13.5"X4.2"X13.5"	15.5"X4.2"X7.6"	15.5"X4.2"X9.6"
Hole Dimensions:	11.8"X3.9" (300mmX100mm)	11.8"X11.8" (300mmX300mm)	13.8"X5.9" (350mmX150mm)	13.8"X7.9" (350mmX200mm)
Filter Dimensions:	11.5"X2"X3.6"	11.5"X2"X11.5"	13.5"X2"X5.6"	13.5"X2"X7.5"

⚠ Note:

1. Before installation, please carefully check the location of the pipeline in the wall, and be sure to avoid the pipeline openings to prevent cutting the pipeline and causing harm to the person and electricity.
2. Make sure the stud you are cutting is not load-bearing. If it is, you will need to find a new location.

INSTALLATION

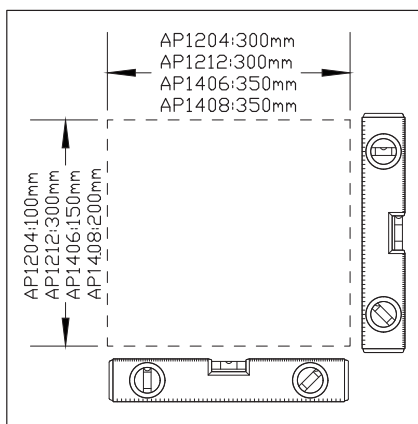
Step 1: Select the area where you want to install Zone Air Pathway.

Using your stud finder, check to see if there are any studs in the way. If there is a stud, you will need to cut the stud to make room for the box.

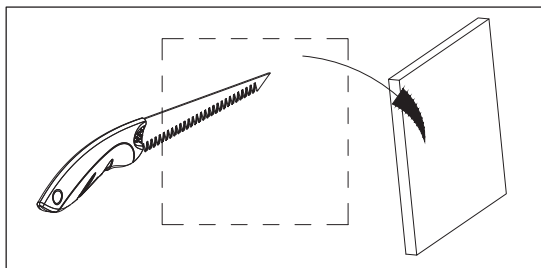
With the help of a tool that can make the device horizontal and vertical, find a good positioning point and draw the corresponding dotted line with reference to Hole Dimensions. (See Figure 1)

Step 2: Using a plasterboard saw, cut along the lines and remove the cut down plasterboard. (See Figure 2)

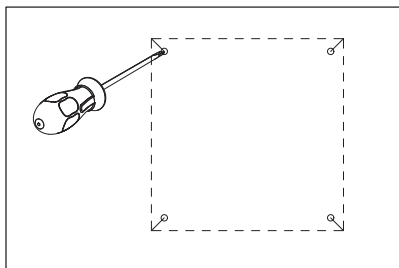
Step 3: Using a plasterboard saw or awl, poke through the corners of the cut, keeping the tool straight through the back of the drywall. Repeat this step at each corner. (See Figure 3)



• Figure 1



• Figure 2



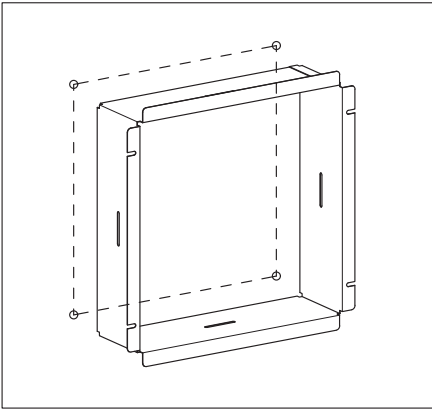
• Figure 3

Step 4: Put the ladder on the other side of the wall, you will notice the 4 holes you just poked. Take a box with long openings on all sides (the larger one in the box) and line up the corners with the holes you made above the doorway. Once the boxes are lined up, draw a rectangle on the outside of the box. (See Figure 4)

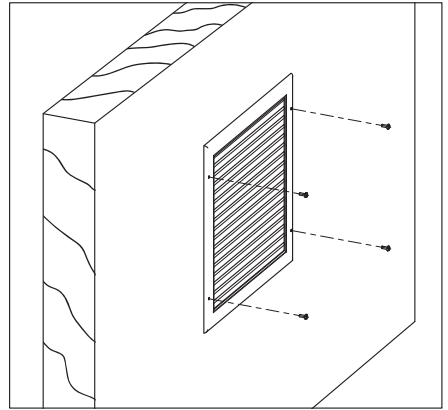
Step 5: Use a plasterboard saw, cut along the lines, and remove the plasterboard. (Repeat Figure 1)

Step 6: Take the first box and insert it into the first hole you cut out. Take box #2, put the baffle back in the box, and insert it into the second hole you cut, followed by the filter element. (See Figure 5)

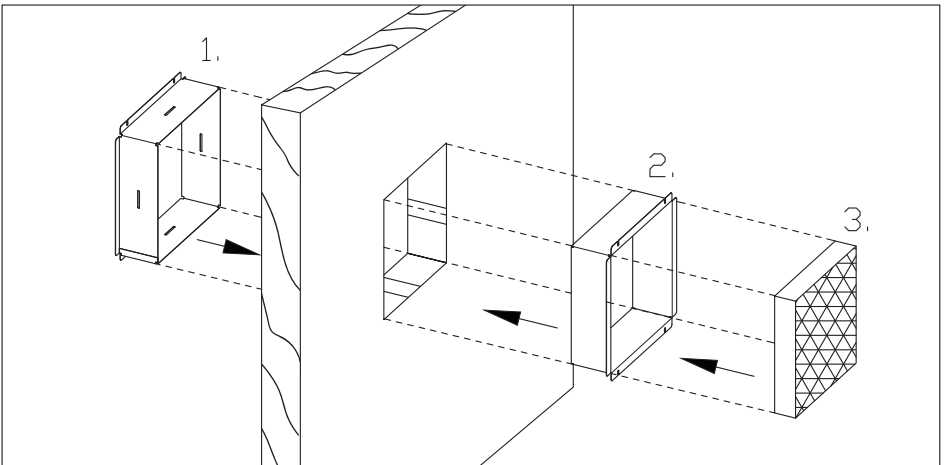
Step 7: Use the provided grill screws to tighten one grill on each side. Make sure the grill is in place before tightening the screws. (See Figure 6)



• Figure 4



• Figure 6



• Figure 5

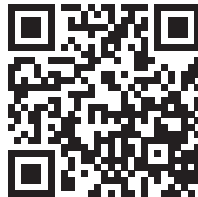
5 YEARS WARRANTY

Suprocky warrants to the original purchaser of this product that the product will be free from defects due to faulty material or workmanship for a period of (5) years from the date of original purchase or delivery to the original purchaser, whichever is earlier.

Remedies under this warranty are limited to repairing or replacing, at our option, any product which shall, within the above stated warranty period, be returned to Suprocky at the address listed below, postage prepaid. THERE ARE NO WARRANTIES WHICH EXTEND BEYOND THE DESCRIPTION ON THE FACE HEREOF, AND SUPROCKY EXPRESSLY DISCLAIMS LIABILITY FOR INCIDENTAL OR CONSEQUENTIAL DAMAGES ARISING FROM THE USE OF THIS PRODUCT.

THIS WARRANTY IS IN LIEU OF ALL OTHER EXPRESS WARRANTIES AND NO AGENT IS AUTHORIZED TO ASSUME FOR US ANY LIABILITY ADDITIONAL TO THOSE SET FORTH IN THIS LIMITED WARRANTY. IMPLIED WARRANTIES ARE LIMITED TO THE STATED DURATION OF THIS LIMITED WARRANTY. Some states do not allow limitation on how long an implied warranty lasts, so that limitation may not apply to you. In addition, some states do not allow the exclusion or limitation of incidental or consequential damages, so that above limitation or exclusion may not apply to you. This warranty gives you specific legal rights and you may also have other rights which may vary from State to State.

Send all inquiries regarding warranty work to Suprocky.



Warranty register code

<https://www.suprocky.com/warranty>

support@suprocky.com

(888) 907-7328

(10.00 AM to 7.00 PM PST), Monday to Friday.

Suprocky Product Co., Ltd